



Innovative Technology

INTELLIGENCE IN VALIDATION



A.U.S. SPIELGERÄTE GMBH
SCHEYDGASSE 48, AT 1210 WIEN
☎ +43 (0) 1 271 86 00 66 FAX +43 (0) 1 271 86 00 75
🌐 www.aus.at ✉ verkauf@aus.at

SMART Payout

“Superior mixed denomination recycler”



- Superior note recycling
- Unrivalled mixed denomination banknote recycler
- Eliminates coin starvation
- Maximises cash efficiency



FEATURES

- 70 note 'true' mixed denomination recycler - can store all denominations from a given currency
- Proven field reliability
- Exceptional performance - auto-centering technology straightens notes before reading
- Accepts bank notes up to 85mm wide & recycles notes up to 82mm wide
- Easy maintenance, free firmware updates
- Notes in the SMART Payout are transferable to the cashbox for easy collection



BENEFITS

- Eliminates coin starvation & the need for multiple hoppers
- Lowest cost of ownership
- Improves operator cashflow
- Reduces operator collection costs
- Future proof - quick & easy updates via USB & PC
- One product suitable for most global applications

Technical Specification

Power

Requirements: 12V
Standby: 400mA
Running: 3A
Peak: 5A

Protocols

SSP
ccTalk

Interfaces

USB option
Open collector
RS232

Cashbox Options

500 notes
1000 notes

Recycler Capacity

Up to 70 mixed notes

Bezel Options

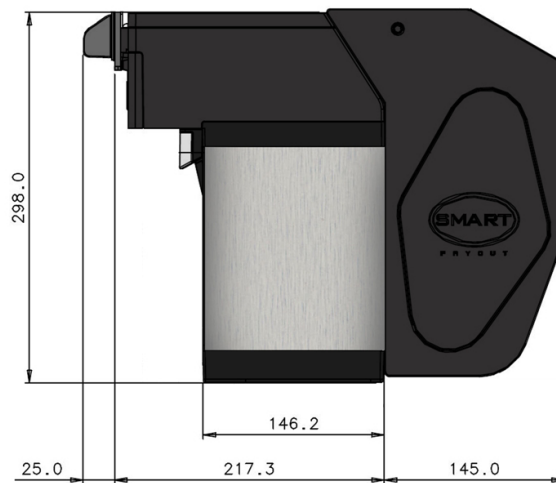
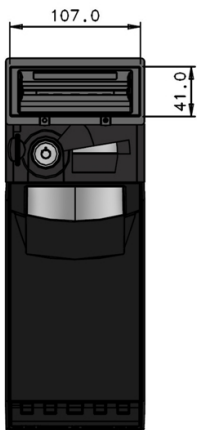
Standard bezel Metal bezel
Self aligning bezel
Various illumination options

Note Dimensions

Accepts: Width: 60-85mm
 Length: 115-170mm
Recycles: Width: 60-82 mm

MCBF

100,000



- Weight: 5.5kg

**VIEW MORE
NOTE HANDLING
PRODUCTS >>**



Find Us

Head Office

A.u.S. Spielgeräte GmbH
Scheydgasse 48
A-1210 Vienna
Austria



Telephone

+43 (0)1 271 66 00



Email

sales@aus.at